

Hi-Lift Jack Company  
P.O. Box 228  
Bloomfield, IN 47424-0228 USA

Toll Free: (800) 233-2051  
Direct: (812) 384-4441  
Fax: (812) 384-4592

## Hi-Lift® Post Popper™ Instruction Manual

Your Post Popper™ is ready to pull T-posts; no assembly is needed.

### Using the Post Popper™

The Hi-Lift® Post Popper™ can be used to pull many things, including:

- T-posts. Construction stakes\*
- Wooden posts\* Galvanised fence posts\*
- U-channel posts\*
- \*Requires use of hook and chain.

Post Popper™ Jaw Capacity 5000 lbs. (2273 kg.)

Post Popper™ Grab Hook Capacity 2600 lbs. (1179 kg.)

### WARNING

Do not lift objects with the Post Popper™. It will not hold a load. Serious injury may result.

#### Before Each Use

Inspect the clevis pins to make sure the pins are sealed properly.

#### Pulling T-Posts

### CAUTION

\*DO NOT STAND ON THE HANDLE OF THE POST POPPER™. YOU COULD SLIP.

1. Position the handle so the end is slightly above your waist.
2. Fit the jaw around the post, with post knobs facing the tool.

#### NOTE:

The tool handle should be as horizontal as possible when around the post.

3. Give a downward thrust to the end of the handle, jarring the post loose.
4. Raise the handle back to waist high, repositioning the jaw on the post.
5. Operate the handle again, lifting the post clear of the ground.

### CAUTION

\*DO NOT STORE POST POPPER™ UPRIGHT. IT COULD FALL AND CAUSE INJURY. STORE POST POPPER™ FLAT.

\*DO NOT CATCH FINGERS BETWEEN THE HANDLE AND BODY OF THE POST POPPER™ WHEN CLOSING OR CARRYING IT. YOU COULD INJURE YOUR FINGERS.

### WARNING

DO NOT USE BACK BENDING MOVEMENTS. BACK INJURY COULD RESULT. LIFT THE POSTS WITH SHORT STROKES OF THE HANDLE.

#### Pulling Larger Diameter Posts or Shorter Posts

You will need to use a chain and slip hook in order to pull posts other than T-posts. The chain provided with the Post Popper™ chain and slip hook accessory, available from your local Post Popper™ dealer or Bloomfield Manufacturing Company, is 2,600 lb. test, and we do not recommend using a chain with less strength.

1. Wrap the chain around the post as low to the ground as possible and place the slip hook over the top of the chain.
2. Raise the Post Popper™ handle to slightly above waist level and insert the chain onto the grab-hook on the Post Popper™ jaw.
3. Give a downward thrust to the end of the handle, jarring the post loose.
4. Raise the handle back to waist high, repositioning the chain on the post.
5. Operate the handle again, lifting the post clear of the ground.

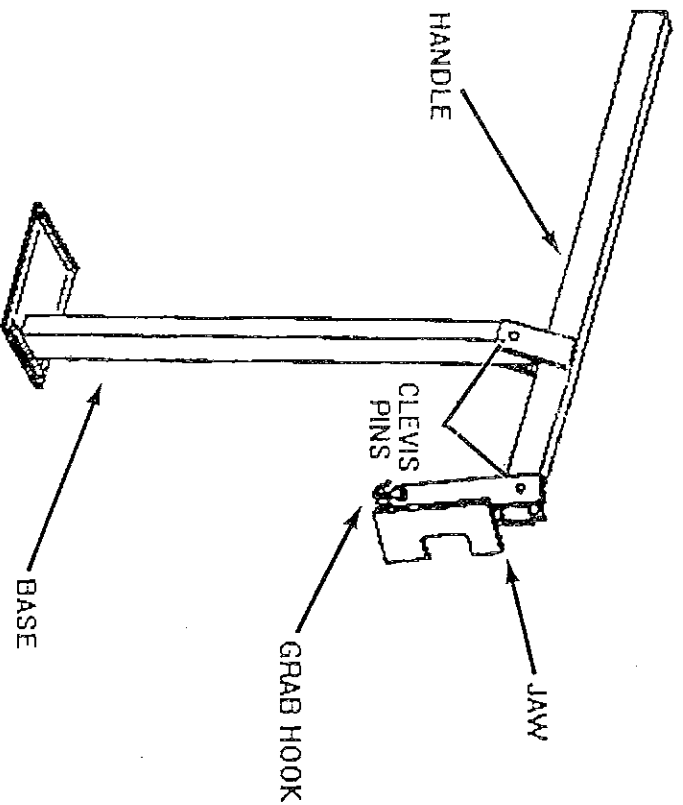
#### NOTES:

If you are having difficulty extracting a post, moistening the soil may help.

For added leverage, a 3/4" diameter pipe up to 30" long can be inserted into the tool handle for use as an extended handle, and stored in the body of the tool.

#### Storing the Post Popper™

The Post Popper™ should be stored in a dry location, preferably indoors. If the Post Popper™ is stored outdoors, it should be kept covered.



#### Maintenance

Make sure the pivot points work freely. If there is dirt or debris interfering with the movement, wash the Post Popper™ with a mild detergent and lubricate the pivot points with a light penetrating oil.

---

#### Limited Warranty

Hi-Lift® Jack Company warrants the Hi-Lift® Post Popper™ against defective materials and workmanship for twelve (12) months from the date of purchase. This warranty applies only to the original purchaser of the Post Popper™.

This warranty shall only be effective when the owner returns the Post Popper™ or parts thereof, transportation prepaid, with proof of purchase, to the Factory Service Department located at:

Hi-Lift® Jack Company  
46 West Spring Street  
Bloomfield, Indiana 47424.

This warranty is void if the Post Popper™ is modified, used beyond rated capacity, abused, misused, not maintained properly, or if non-Hi-Lift® replacement parts are used.

This warranty states the entire liability of the Hi-Lift® Jack Company with respect to the Hi-Lift® Post Popper™. The duration of any implied warranties of merchantability and fitness for particular use are limited in duration to the duration of any express warranties stated herein. Under no circumstances will the Hi-Lift® Jack Company be liable for incidental or consequential damages arising out of negligence, tort, breach of warranty, contract, strict liability, or any other basis, and such damages are specifically excluded herein.

This warranty replaces all previous warranties and is the only warranty made by the Hi-Lift® Jack Company on this product. No other warranties, either verbal or written, are authorized. This warranty gives you specific legal rights. You may also have other legal rights which vary from state to state.