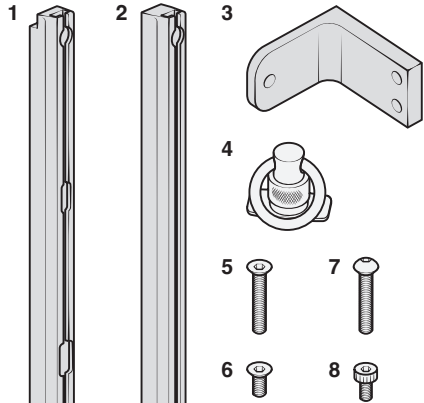


Hi-Lift® Trail Trak Cargo Management System for Jeep Gladiator

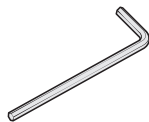
Included Components

1. Bed-Side Rails x 2
2. Bed-Front Rails x 1
3. L-Shaped Bed Connection Brackets x 2
4. Locking Tie-Down Points x 6
5. Flat Head Screws for Bed Rail Mounting x 12
6. Flat Head Screws for L-Shaped Bed Connection Bracket x 4
7. Button Head Screws for L-Shaped Bed Connection Bracket x 2
8. Socket Head Screws x2 - Only used for mounting JGBM-100 (Jeep Gladiator Bed Mount). The instructions for installing the JGBM-100 on this system comes with the JGBM-100.



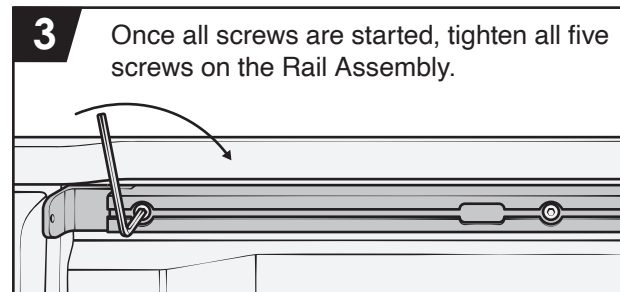
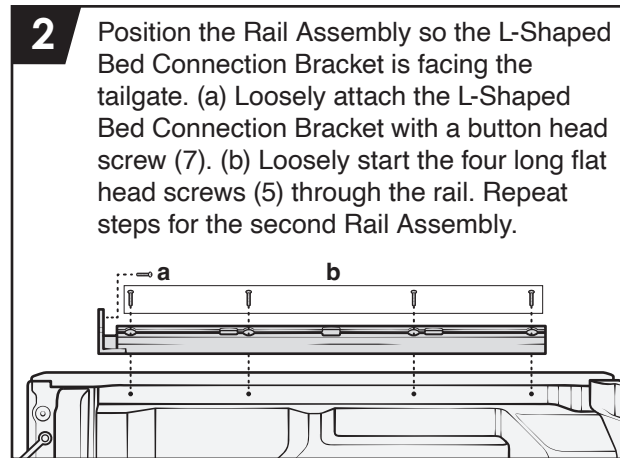
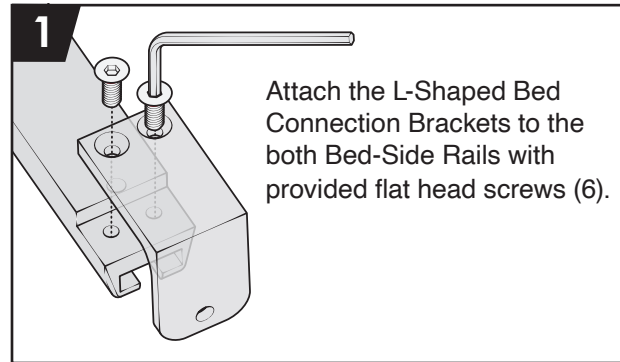
Required Tools

1. 3/16" Allen Wrench



Installation

If the Gladiator is equipped with factory tie-down system, remove all three rails and clean the mounting surface.



Repeat steps 1-3 for passenger-side Rail Assembly.

